

Technical data sheet

Product features



Multi-function fixed braising pan drop-in bowl electric 11 l TOP 400 V

Model	SAP Code	00007474
--------------	-----------------	----------



- Bottom material: Stainless steel - suitable for cooking, easy maintenance
- Bottom thickness: 16.00
- Basin volume [l]: 11
- Usable volume [l]: 11
- Protection of controls: IPX5
- Basin dimensions [mm x mm x mm]: 300 x 510 x 100
- Service accessibility: Trough the frontal panel

SAP Code	00007474	Bottom material	Stainless steel - suitable for cooking, easy maintenance
Net Width [mm]	400	Basin volume [l]	11
Net Depth [mm]	600	Usable volume [l]	11
Net Height [mm]	280	Width of internal part [mm]	300
Net Weight [kg]	20.00	Depth of internal part [mm]	510
Power electric [kW]	4.000	Height of internal part [mm]	100
Loading	400 V / 3N - 50 Hz		

Technical data sheet

Technical drawing

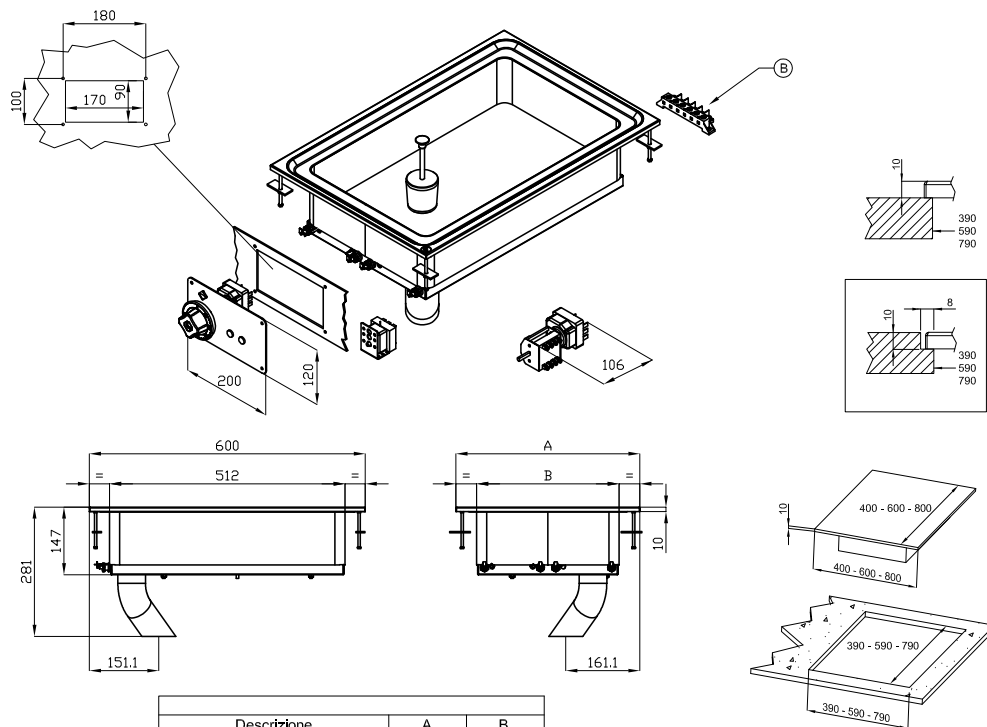


Multi-function fixed braising pan drop-in bowl electric 11 l TOP 400 V

Model

SAP Code

00007474



Descrizione	A	B
BRFD-64ET	400 mm	310 mm
BRFD-68ET	800 mm	710 mm

A	Data plate		B	Electrical connection	
---	------------	--	---	-----------------------	--

Technical data sheet

Product benefits



Multi-function fixed braising pan drop-in bowl electric 11 l TOP 400 V

Model

SAP Code

00007474

1

All-pink removable design

long life
resistance of AISI 304 stainless steel material
the material does not cut

- savings on service interventions
- easier and faster operation

2

Degree of protection of the control elements IPX5

maintenance-free system
resistance to splash water
long life

- savings on service interventions
- easy cleaning and maintenance of equipment

3

Outlet into a removable collector

outlet of the bath into the prepared container

- easy and safe handling

Technical data sheet

Technical parameters



Multi-function fixed braising pan drop-in bowl electric 11 l TOP 400 V

Model

SAP Code

00007474

1. SAP Code:

00007474

2. Net Width [mm]:

400

3. Net Depth [mm]:

600

4. Net Height [mm]:

280

5. Net Weight [kg]:

20.00

6. Gross Width [mm]:

430

7. Gross depth [mm]:

630

8. Gross Height [mm]:

470

9. Gross Weight [kg]:

28.00

10. Device type:

Electric unit

11. Construction type of device:

Drop-in

12. Power electric [kW]:

4.000

13. Loading:

400 V / 3N - 50 Hz

14. Protection of controls:

IPX5

15. Material:

AISI 304

16. Indicators:

operation and warm-up

17. Basin volume [l]:

11

18. Basin dimensions [mm x mm x mm]:

300 x 510 x 100

19. Maximum device temperature [°C]:

300

20. Minimum device temperature [°C]:

50

21. Power control type:

knob control

22. Service accessibility:

Trough the frontal panel

23. Additional information:

outlet to removable collector in the substructure

24. Bottom thickness:

16.00

25. Bottom material:

Stainless steel - suitable for cooking, easy maintenance

26. Usable volume [l]:

11

27. Drain:

Yes

28. Width of internal part [mm]:

300

Technical data sheet

Technical parameters



Multi-function fixed braising pan drop-in bowl electric 11 l TOP 400 V

Model	SAP Code	
		00007474

29. Depth of internal part [mm]:

510

31. Cross-section of conductors CU [mm²]:

1

– Výkon (kW): 3,7-5 (230 V); 6,4-8,7 (400 V)

30. Height of internal part [mm]:

100